

NFC Mobile Phone Stickers

The iDTRONIC NFC Mobile Phone Sticker is specially designed to work on any mobile phones. With the innovative design in its size, it is thin and flexible which makes it easily to attach to any mobile devices.

Besides, the tag is embedded with special material to allow it to work on metal surface environment where it is impossible for normal RFID sticker. It can attach to all model of mobile phones with or without metal surface.



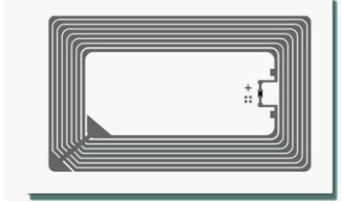
The RFID sticker is integrated with RFID chip conforming with ISO14443/15693 which provides high security. Apart from RFID technology, this sticker can be used also for payment applications.



Applications:

- ePayment
- eTicketing
- Loyalty
- Access Control

Thickness:	< 0.75mm
Material:	Ferrite layer Residue free glue tape Copper antenna PVC / PETG inlay
Operating Frequency:	13.56MHz
Reading Range:	Depending on IC type and Reader
Operating Temperature:	-25 °C ... +65 °C
Personalisation Options:	Barcode Number
Surface:	glossy or matt
Order Code:	ST-NFC-xx
Facestock:	PVC, PET
Printing:	CMYK offset, Silk printing

ROUND	SQUARE	RECTANGLE
		
Sizes: ⌀ 25mm ⌀ 30mm	Size: 25x25mm	Size: 40x25mm

Available 13,56MHz ICs:

IC Type	ISO	Antenna	Order No.
<i>NXP MIFARE® Classic 1K</i>	<i>14443A</i>	<i>Alu etched</i>	<i>SL-OM-MF1S50-xx</i>
<i>NXP MIFARE Ultralight®</i>	<i>14443A</i>	<i>Alu etched</i>	<i>SL-OM-MFUL-xx</i>
<i>NTAG213</i>	<i>14443A</i>	<i>Alu etched</i>	<i>SL-OM-NTAG-xxx</i>
<i>NXP I-Code SLI / SLI-S / SLI-X</i>	<i>15693</i>	<i>Alu etched</i>	<i>SL-OM-ICSLI-xx</i>
<i>TI HFI PLUS</i>	<i>15693</i>	<i>Alu etched</i>	<i>SL-OM-HFI-xx</i>

Other IC types available on request

